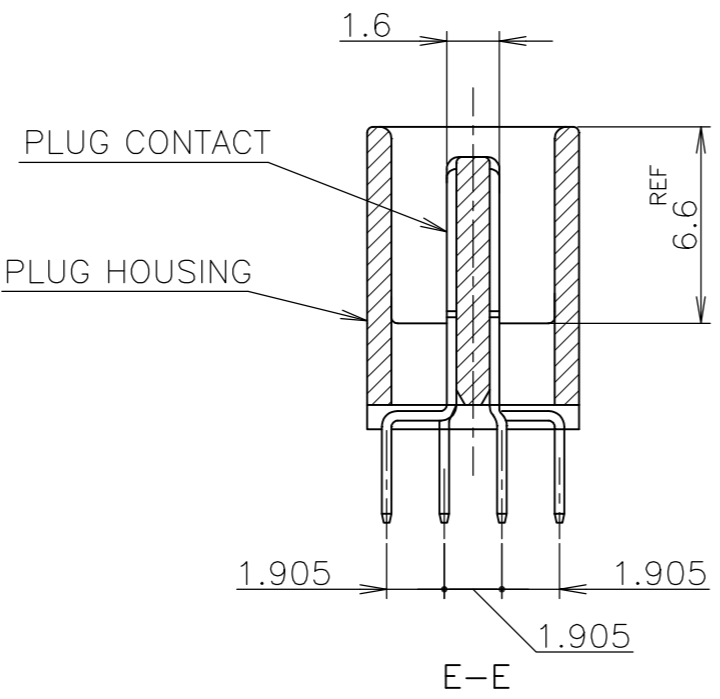
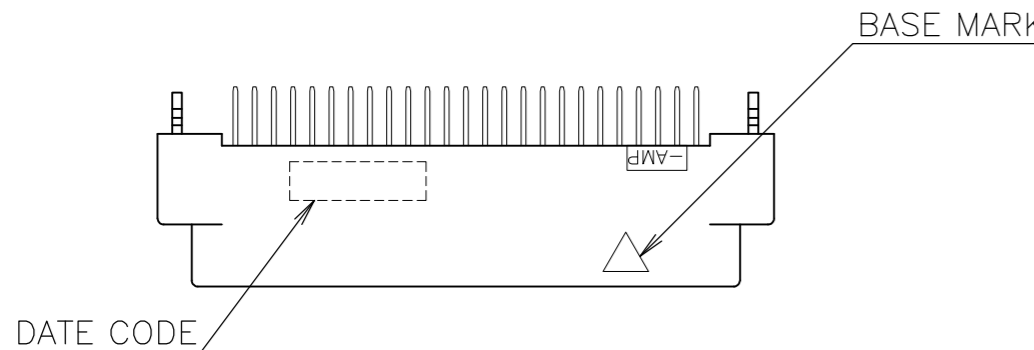
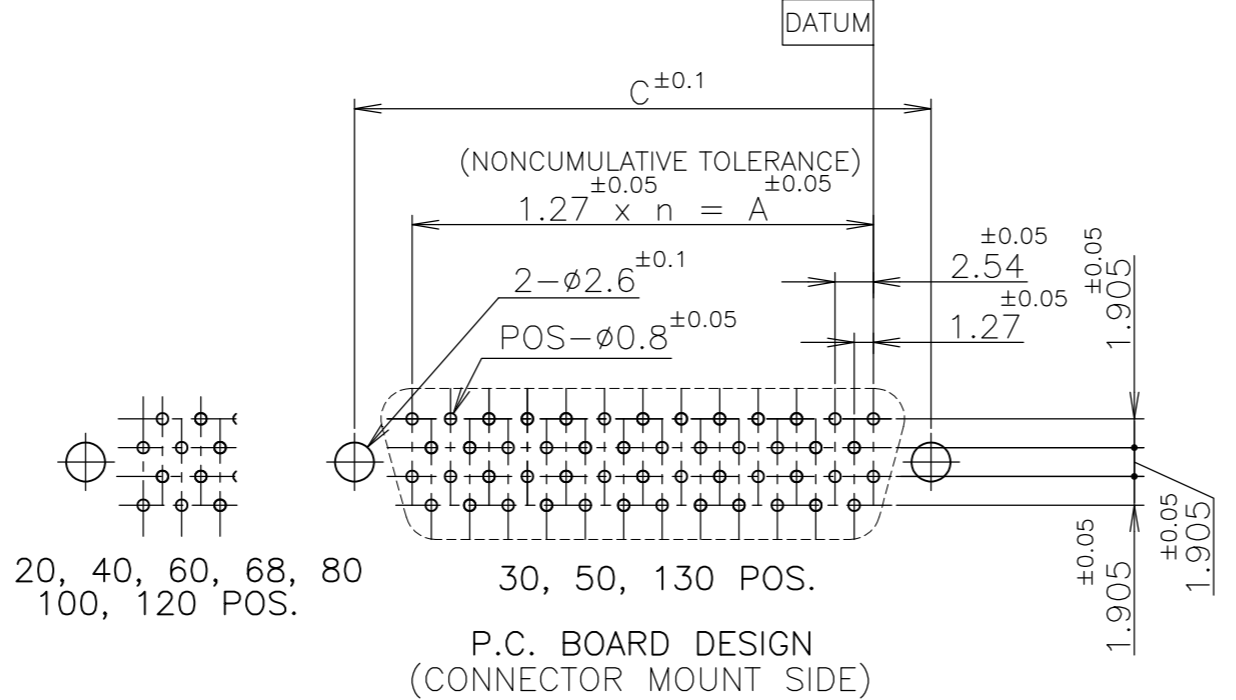
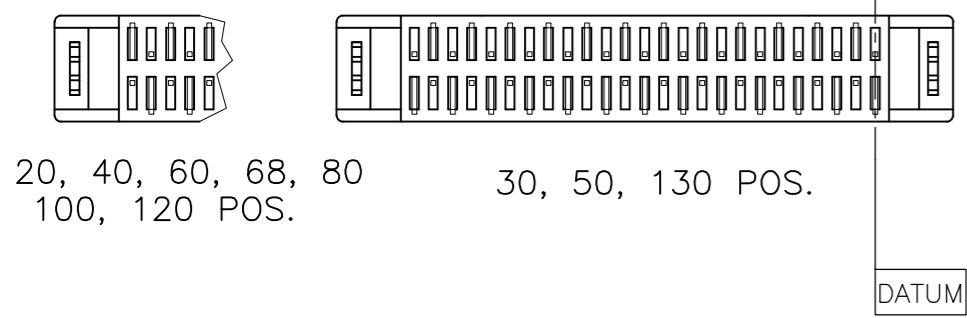
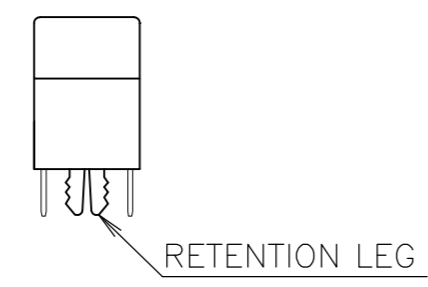
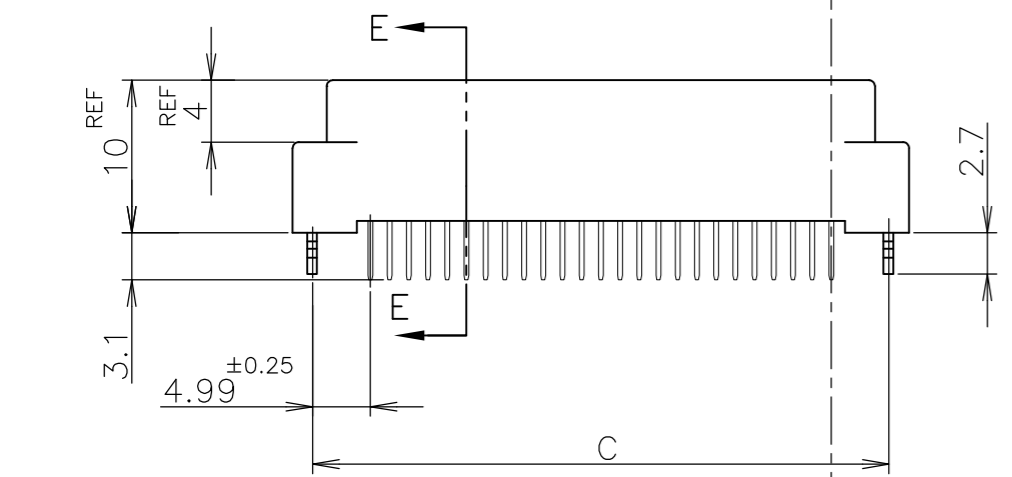
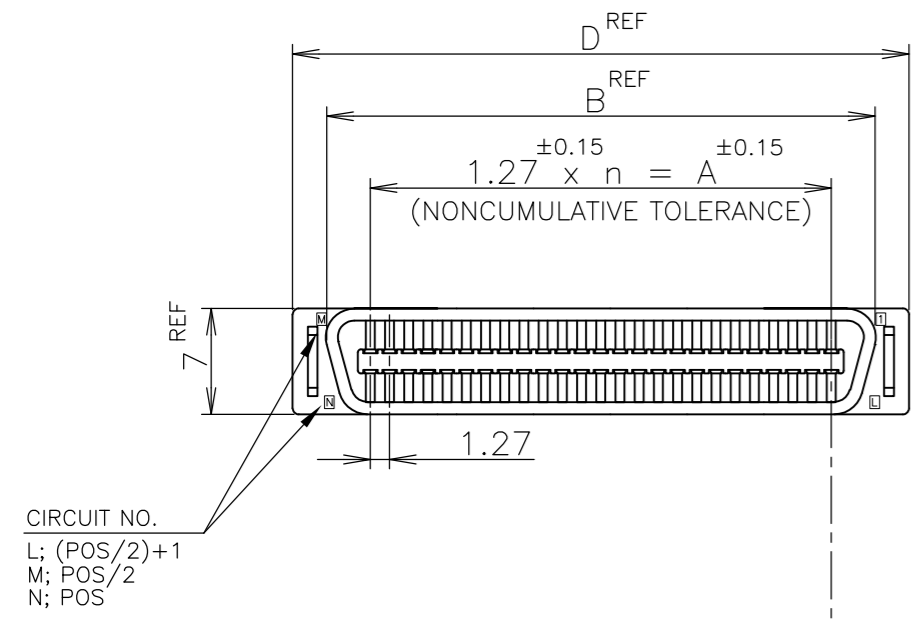


LOC	DIST	REVISIONS					
ES	00	P	LTR	DESCRIPTION	DATE	DWN	APVD
		B		REVISED PER ECO-12-012349	14MAR13	BL	AC



- 1 NUMBER "n" S COUNTED FROM DATUM (CIRCUIT NO.1 IS "AMP" MARK SIDE.)
- 2 MATERIAL: HOUSING; 66 NYLON (GF) UL 94V-0, BLACK.  
: CONTACT; PHOSPHOR BRONZE.  
: RETENTION LEG; BRASS.
- 3 FINISH: CONTACT; Au AT CONTACT AREA (SEE TABLE),  
TIN AT TINE OVER Ni.  
RETENTION LEG; TIN UNDER Ni.



POS.	n	A	B	C	D
6-	-2	130	64	81.28	89.62
6-	-1	120	59	74.93	83.27
6-	-0	100	49	62.23	70.57
5-	-9	80	39	49.53	57.87
5-	-8	68	33	41.91	50.25
5-	-7	60	29	36.83	45.17
5-	-6	50	24	30.48	38.82
5-	-5	40	19	24.13	32.47
5-	-3	30	14	17.78	26.12
5-	-1	20	9	11.43	19.77
OBSOLETE	4-	130	64	81.28	89.62
4-	-1	120	59	74.93	83.27
4-	-0	100	49	62.23	70.57
3-	-9	80	39	49.53	57.87
3-	-8	68	33	41.91	50.25
3-	-7	60	29	36.83	45.17
3-	-6	50	24	30.48	38.82
3-	-5	40	19	24.13	32.47
3-	-3	30	14	17.78	26.12
3-	-1	20	9	11.43	19.77
OBSOLETE	1-	130	64	81.28	89.62
1-	-1	120	59	74.93	83.27
1-	-0	100	49	62.23	70.57
	-9	80	39	49.53	57.87
	-8	68	33	41.91	50.25
	-7	60	29	36.83	45.17
	-6	50	24	30.48	38.82
	-5	40	19	24.13	32.47
	-3	30	14	17.78	26.12
5175473-1		20	9	11.43	19.77

LEAD FREE

GENERAL TOLERANCE
10 ≥ : ± 0.2
30 ≥ > 10 : ± 0.25
100 ≥ > 30 : ± 0.3
ANGLES: ± 3°

THIS DRAWING IS A CONTROLLED DOCUMENT.

DWN: Julyee Zhu 19AUG2004  
CHK: Steven Yao 19AUG2004  
APVD: Ikuo Enomoto 19AUG2004

NAME: AMP CHAMP .050 CONNECTOR (B-T-B) PLUG CONNECTOR (VERTICAL WITH RETENTION LEG)

PRODUCT SPEC: 108-60038  
APPLICATION SPEC

SIZE: A2  
CAGE CODE: 00779  
DRAWING NO: C=5175473  
RESTRICTED TO: B

SCALE: NTS  
SHEET: 1 OF 1  
REV: B

CUSTOMER DRAWING